

Basic Parameters

Model	-	GWH12AGC-K6DNA2W
Product Code	-	CB543011700
Power Supply	Rated Voltage	V~ 220-240
	Rated Frequency	Hz 50
	Phases	- 1
Power Supply Mode	-	Outdoor
Cooling Capacity	W	3510
Heating Capacity	W	3810
Cooling Power Input	W	962
Heating Power Input	W	953
Cooling Current Input	A	4.3
Heating Current Input	A	4.6
Rated Input	W	1550
Rated Cooling Current	A	6.2
Rated Heating Current	A	6.9
Air Flow Volume	m ³ /h	680/620/560/490/450/420/390
Dehumidifying Volume	L/h	1.4
EER	W/W	3.65
COP	W/W	4.00
SEER	-	7.1
SCOP (Average/Warmer/Colder)	-	4.1/5.2/3.1
Application Area	m ²	16-24

Indoor Unit Parameters

Indoor Unit Model	-	GWH12AGC-K6DNA2W/I
Indoor Unit Product Code	-	CB543N11700
Fan Type	-	Cross-flow
Fan Diameter Length (D×L)	mm	Φ98×630
Cooling Speed	r/min	1300/1150/1100/1000/950/850/750
Heating Speed	r/min	1250/1100/1050/1000/950/850/800
Fan Motor Power Output	W	20
Fan Motor RLA	A	0.31
Fan Motor Capacitor	μF	1.5
Evaporator Form	-	Aluminum Fin-copper Tube
Evaporator Pipe Diameter	mm	Φ5
Evaporator Row-fin Gap	mm	2-1.4
Evaporator Coil Length (L×D×W)	mm	634×22.8×304.8
Swing Motor Model	-	MP24BA/MP24AK/MP24HF
Swing Motor Power Output	W	1.5/1.5/1.5
Fuse Current	A	3.15
Sound Pressure Level	dB (A)	Cooling: 41/37/35/32/30/27/24 Heating: 40/36/34/32/30/27/24
Sound Power Level	dB (A)	Cooling: 56/49/47/44/42/39/36 Heating: 51/46/44/42/40/37/34
Dimension (W×H×D)	mm	825X293X196
Dimension of Carton Box (L×W×H)	mm	870X349X257
Dimension of Package (L×W×H)	mm	875X365X268
Net Weight	kg	9.5
Gross Weight	kg	11.5

Outdoor Unit Parameters

Outdoor Unit Model	-	GWH12AFC-K6DNA2W/O
Outdoor Unit Product Code	-	CB363W03600
Compressor Manufacturer	-	ZHUHAI LANDA COMPRESSOR CO., LTD.
Compressor Model	-	FTz-AN108ACBD
Compressor Oil	-	FW68DA or equivalent
Compressor Type	-	Rotary
Compressor LRA.	A	/
Compressor RLA	A	4.4
Compressor Power Input	W	/
Compressor Overload Protector	-	/
Throttling Method	-	Electron expansion valve
Set Temperature Range	°C	16~30
Cooling Operation Ambient Temperature Range	°C	-15~50
Heating Operation Ambient Temperature Range	°C	-25~30
Condenser Form	-	Aluminum Fin-copper Tube
Condenser Pipe Diameter	mm	Φ7.94
Condenser Rows-fin Gap	mm	1-1.2
Condenser Coil Length (L×D×W)	mm	666×19.05×527
Fan Motor Speed	rpm	900
Fan Motor Power Output	W	30
Fan Motor RLA	A	0.4
Fan Motor Capacitor	μF	/
Outdoor Unit Air Flow Volume	m ³ /h	1950
Fan Type	-	Axial-flow

Fan Diameter	mm	Φ400
Defrosting Method	-	Automatic Defrosting
Climate Type	-	T1
Isolation	-	I
Moisture Protection	-	IPX4
Permissible Excessive Operating Pressure for the Discharge Side	MPa	4.3
Permissible Excessive Operating Pressure for the Suction Side	MPa	2.5
Sound Pressure Level	dB (A)	52
Sound Power Level	dB (A)	63
Dimension (W×H×D)	mm	732X555X330
Dimension of Carton Box (L×W×H)	mm	791X373X590
Dimension of Package (L×W×H)	mm	794X376X615
Net Weight	kg	24.5
Gross Weight	kg	27
Refrigerant	-	R32
Refrigerant Charge	kg	0.57

Connection Pipe Parameters

Connection Pipe Length	m	5
Connection Pipe Gas Additional Charge	g/m	16
Outer Diameter Liquid Pipe	inch	1/4
Outer Diameter Gas Pipe	inch	3/8
Max Distance Height	m	10
Max Distance Length	m	15

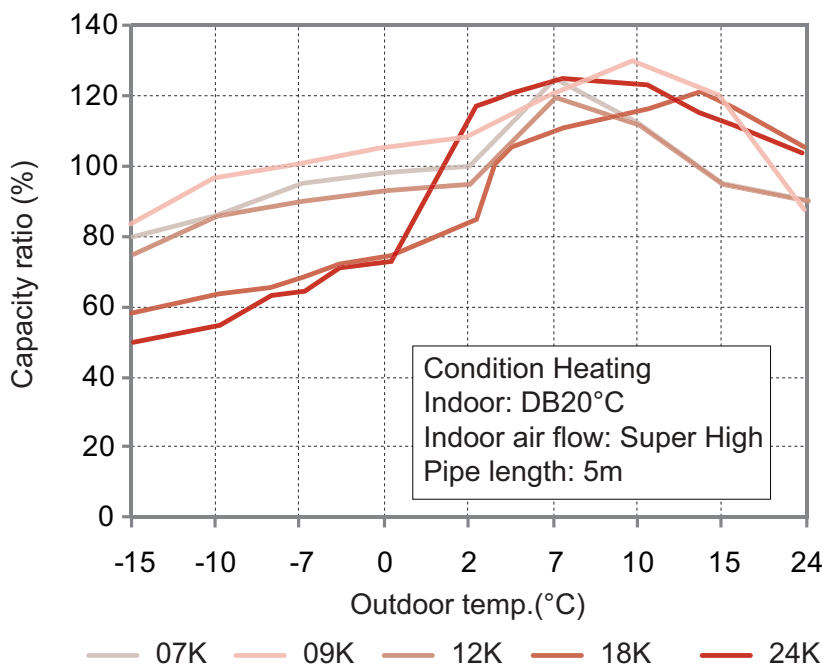
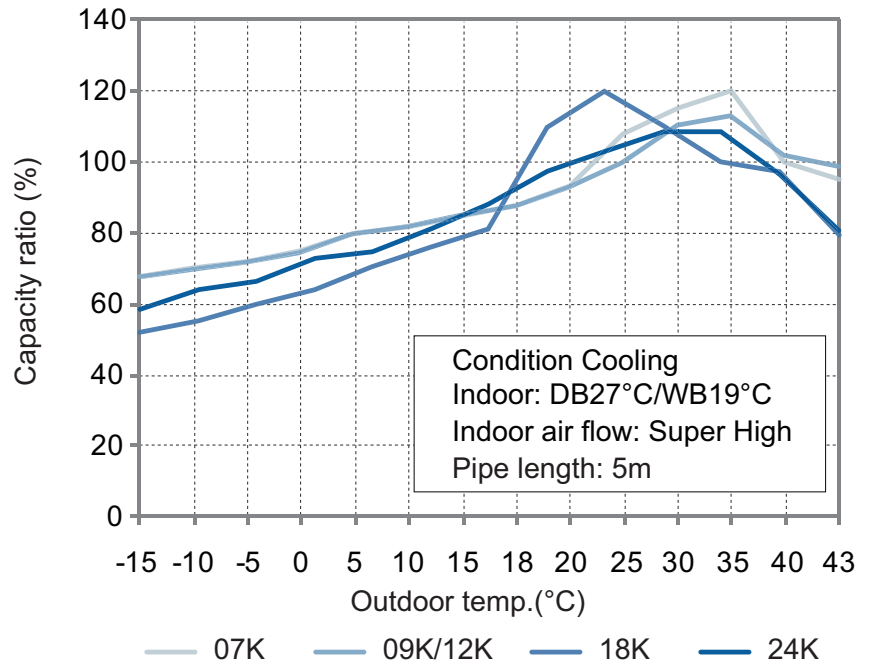
Note: The connection pipe applies metric diameter.

The above data is subject to change without notice. Please refer to the nameplate of the unit.

3.2 Capacity Variation Ratio According to Temperature

The models for 07K ~ 24K with heating operation ambient temperature range of -15°C~24°C

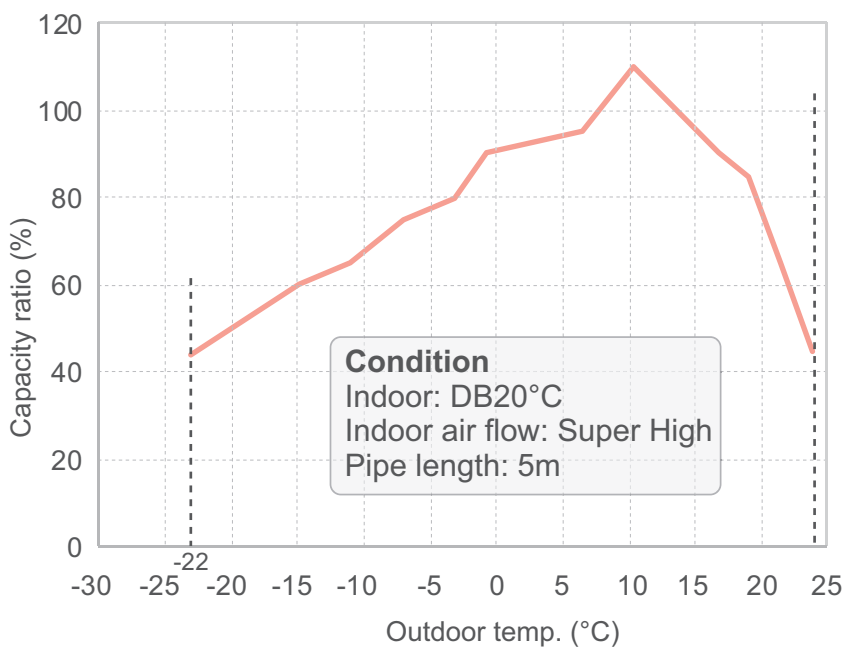
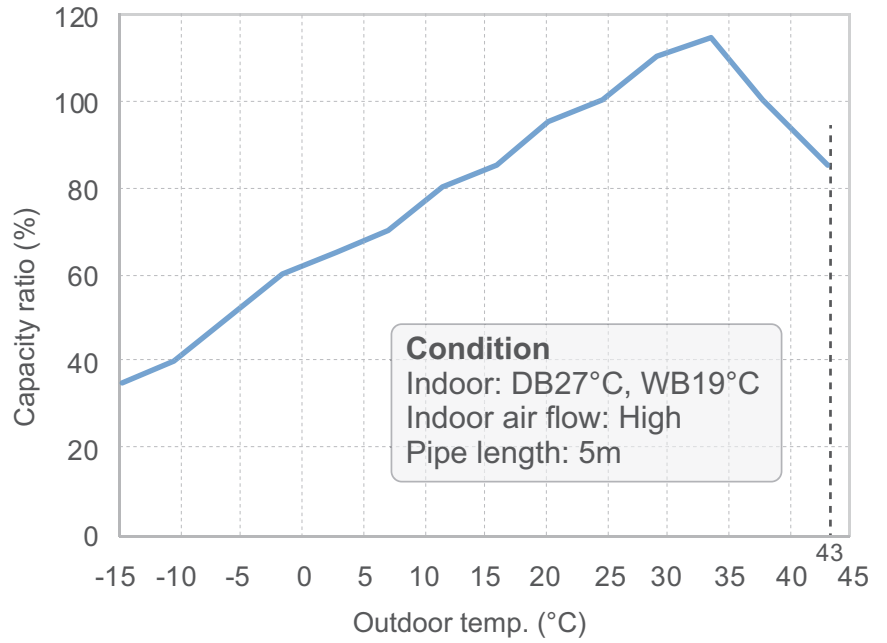
Cooling ▶



◀ **Heating**

The models for 09K with heating operation ambient temperature range of -15°C~24°C

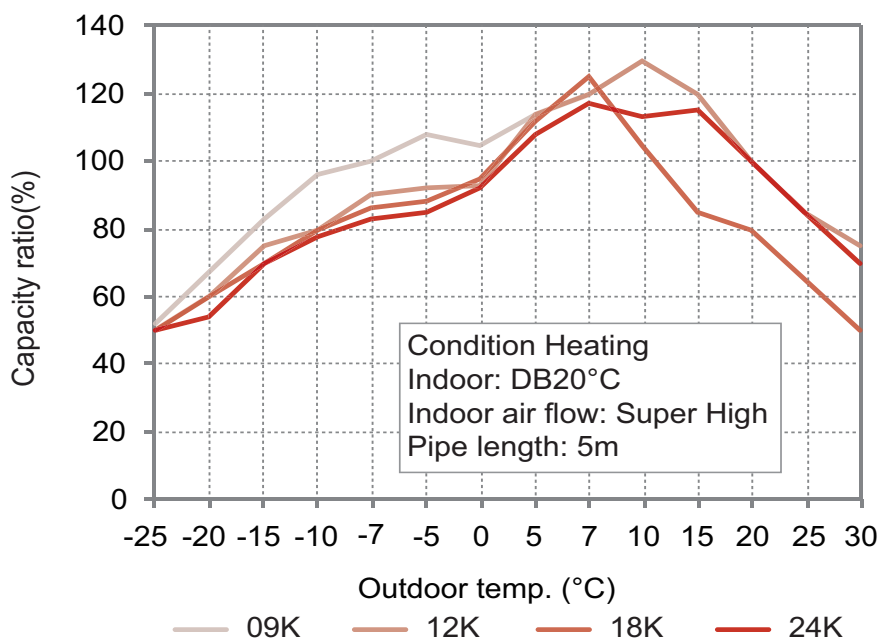
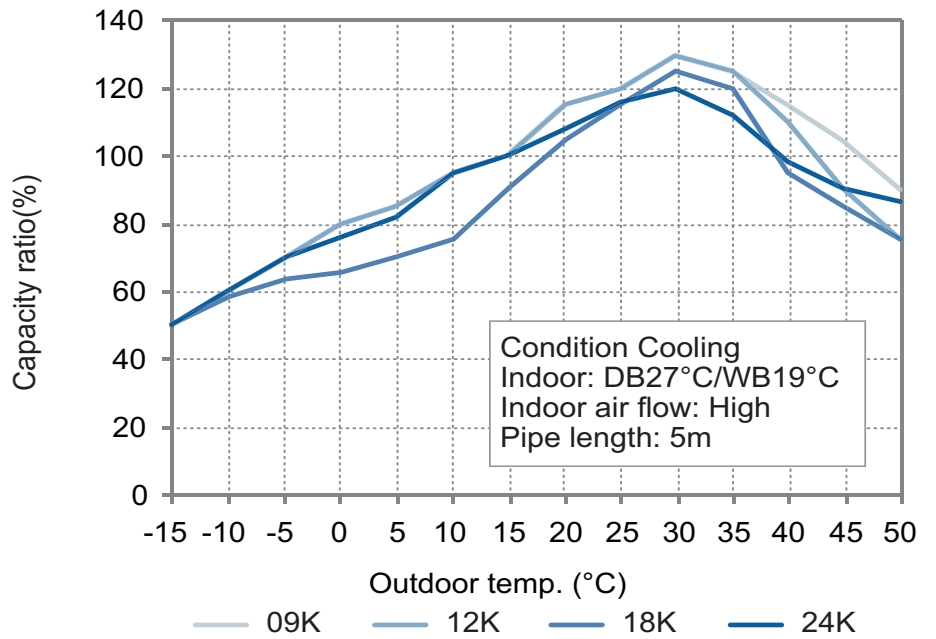
Cooling ▶



◀ Heating

The models for 09K ~ 24K with heating operation ambient temperature range of -25°C~30°C

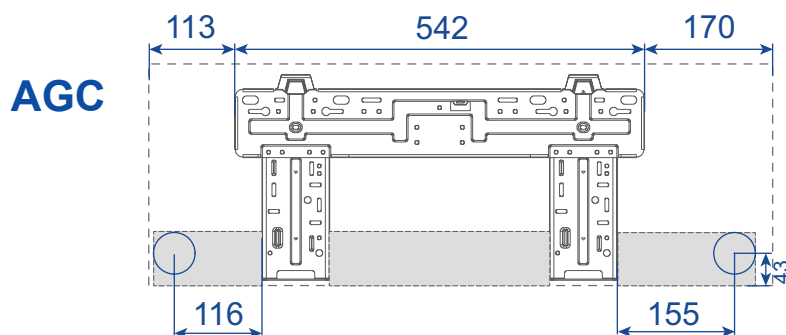
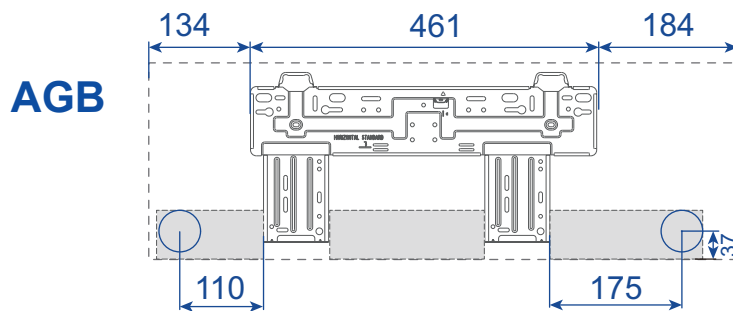
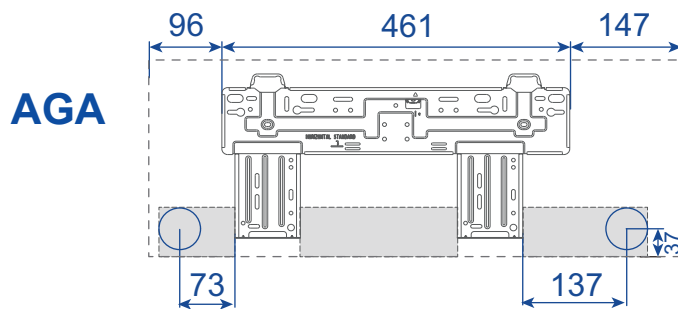
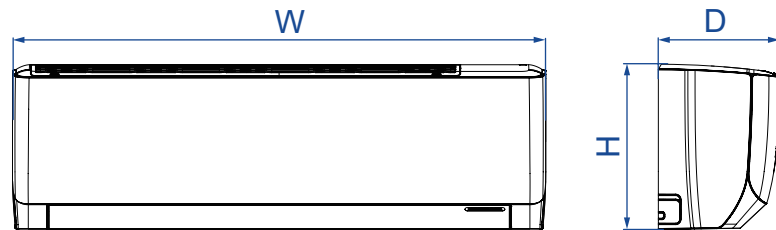
Cooling ▶



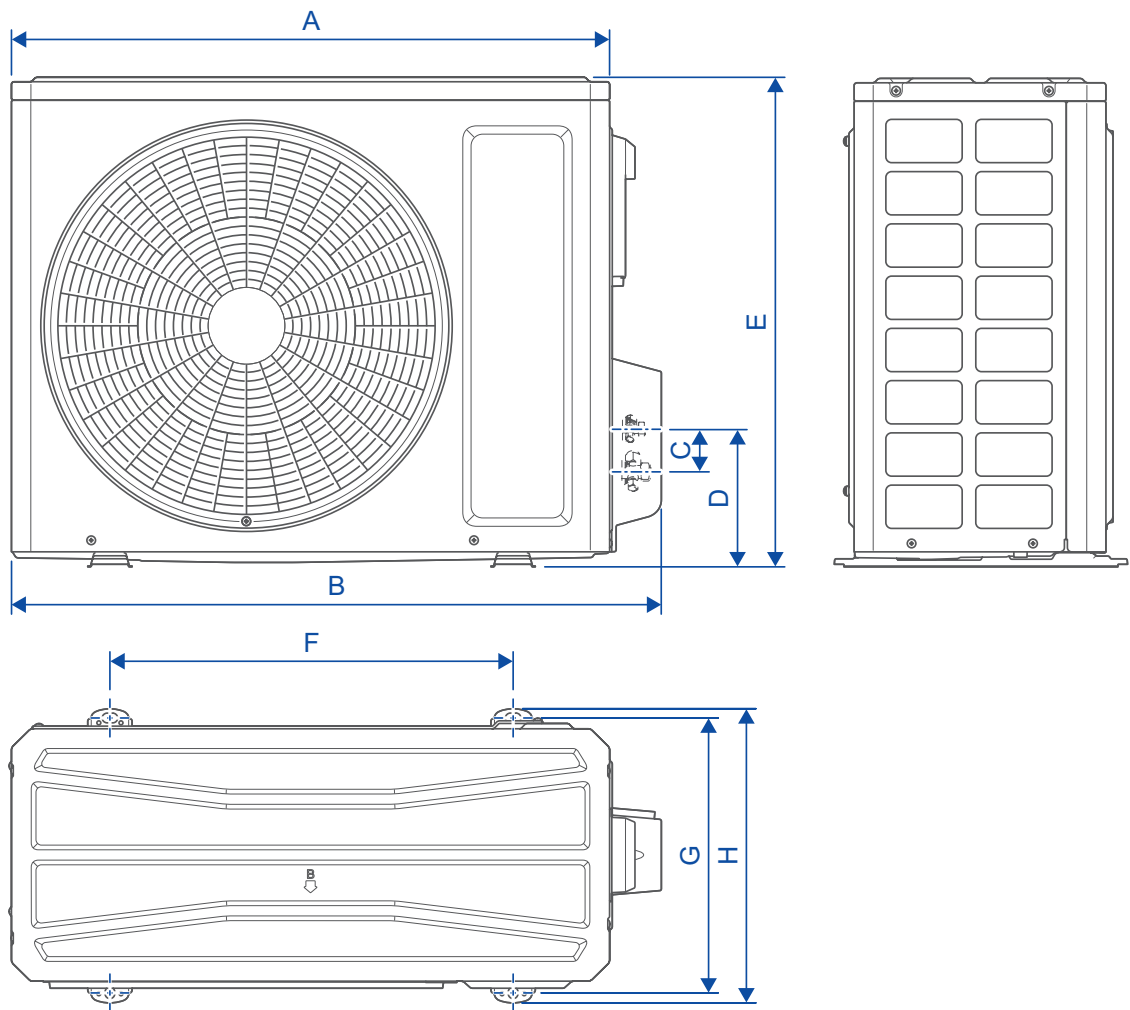
◀ **Heating**

4. Outline Dimension Diagram

4.1 Indoor Unit



4.2 Outdoor Unit



NOTE: The appearance of outdoor unit is for reference only.

Unit: mm

Outdoor Unit Model	A	B	C	D	E	F	G	H
GWH07AGA-K6DNA1A/O	650	710	65	158.8	450	430	271	293
GWH09AGBXB-K6DNA1A/O GWH09AGAXB-K6DNA1B/O GWH09AFC-K6DNA2F/O GWH12AFC-K6DNA2F/O GWH18AGD-K6DNA1D/O GWH09ACCB-K6DNA1G/O GWH12ATCXB-K6DNA4G/O GWH18AGDXB-K6DNA1Z/O	675	732	65	163	555	455	310	330
GWH09AGBXB-K6DNA1E/O GWH12AWBXB-K6DNA3F/O GWH09AGCXB-K6DNA1H/O GWH09AWAXB-K6DNA1C/O GWH09AWBXB-K6DNA1C/O GWH12AGBXB-K6DNA1Z/O GWH12AGBXB-K6DNA1A/O GWH12AGBXB-K6DNA4C/O GWH12AGCXB-K6DNA1A/O	745	802	65	163	555	513	331	350
GWH18AGD-K6DNA1E/O GWH18AGDXD-K6DNA1Z/O GWH12AWCXD-K6DNA1D/O	805	873	65	164	555	528	349	376
GWH24AGD-K6DNA1C/O GWH24AGDXE-K6DNA1Z/O GWH24AGDXE-K6DNA1A/O	889	958	65	165.6	660	570	371	402